

# UHM-10 USER MANUAL

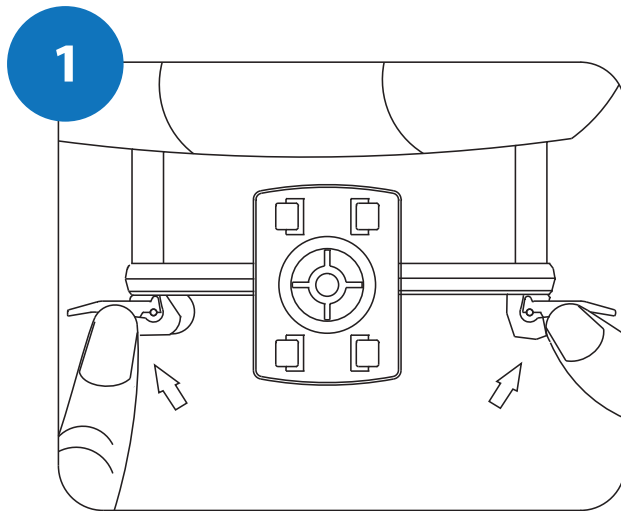
## Universal Tablet Mount for Car Headrest

**Thank You for your Purchase!**

The Bravo View Universal Tablet Headrest Mount is designed to safely and securely hold your tablet in place for rear-seat viewing. It features adjustable headrest clamps that fit most two-post headrest configurations while the adjustable arms accommodate tablets from 7 to 10.2 inches. Simple installation allows for quick and easy placement and removal of your Tablet. Unique 360-degree rotation supports portrait and landscape viewing without removing the tablet from the mount.

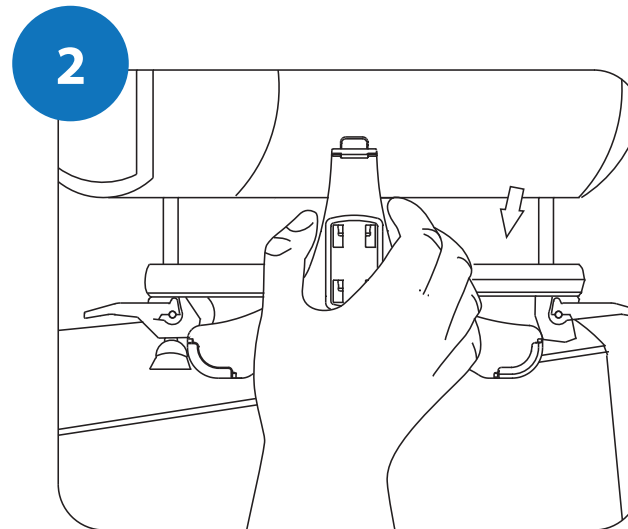
### **MOUNTING INSTRUCTIONS\*\***

*\*\*The order of installation steps taken may vary depending on the vehicle*



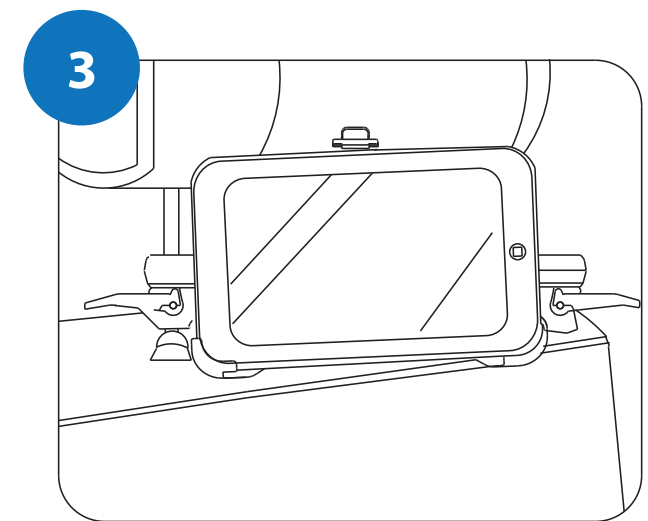
**1A)** Adjust the width of the two fasteners according to the distance between the two headrest posts.

**1B)** Once adjusted, fasten and lock into place securing the mount to the posts.



**2A)** Clip the tablet holder into the mount and secure by inserting the 4 point adapter and sliding the two pieces together until you hear a click sound.

**2B)** Now position the mounting plate to the best viewing angle. Use the 360 degree rotating knob on the bracket to adjust. Once in desired viewing angle tighten firmly.



**3A)** Place your tablet into the bracket

**3B)** Adjust the bracket size to fit your tablet.

**3C)** Press the fastener clip on the back to secure tablet in place.

All done, enjoy!!